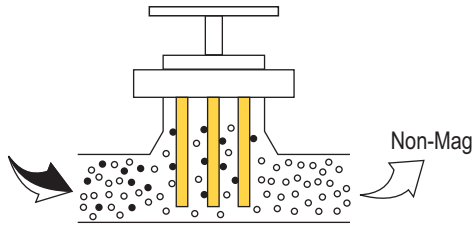


TPS



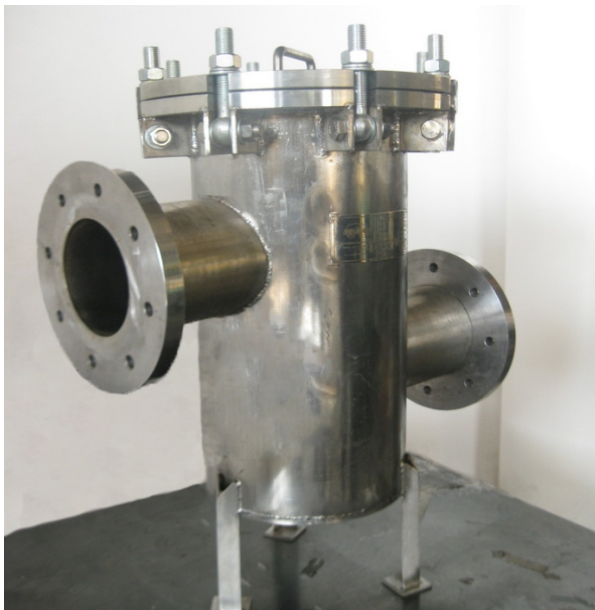
TPS Trap Magnetic Separators are designed for installation in pipelines carrying pulp, slurries, inks, and liquids, ensuring minimal pressure drop and no significant reduction in flow rate. These separators remove ferrous contaminants from liquid processing lines and are extensively used across industries such as food, dairy, grain, chemical, pharmaceutical, plastics, textile, recycling, and more. The magnetic element comprises a set of magnetic bars strategically arranged to ensure that the material flow enters the housing, collides with the bars, and passes through the magnetic field, fully covering the open cross-sectional area. Due to the design of the magnetic circuit, entrapped iron particles naturally migrate to and adhere to the downstream side of the bars. This prevents them from being washed away by the continuous flow of material. Thus, the trapped ferrous particles can be easily inspected and manually cleaned from the body. Both ends of the magnet bars are fitted with non-magnetic elements to facilitate easy cleaning. Regular cleaning of the magnetic bars greatly enhances separation efficiency. To avoid flow interruptions during the cleaning procedure, a bypass route should be installed at the trap's location.

Application and Features

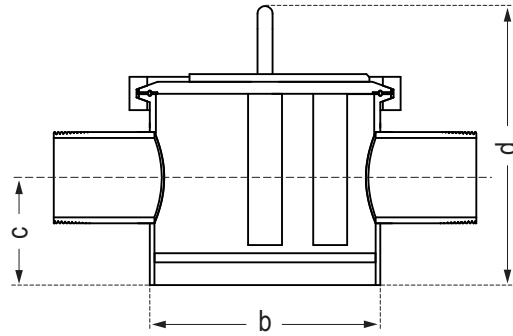
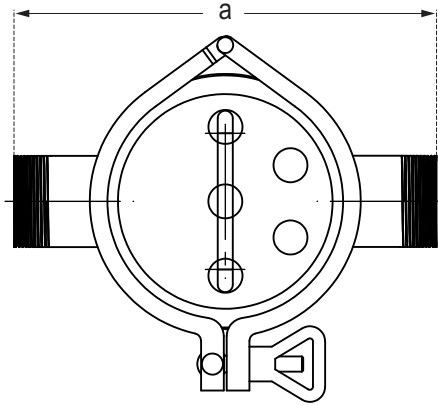
TPS offer many advantages, such as reducing contamination in the flow material and preventing equipment damage. In addition, TPSs help minimize downtime, reduce maintenance requirements, and prevent excessive wear on processing equipment.

Additional benefits of using TPS include:

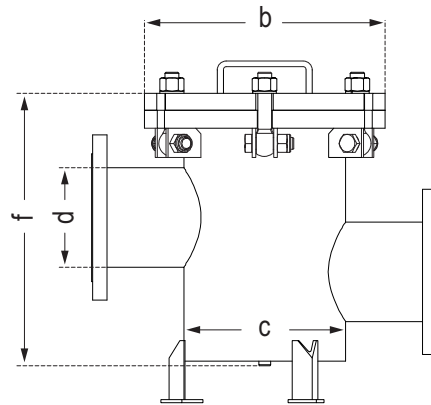
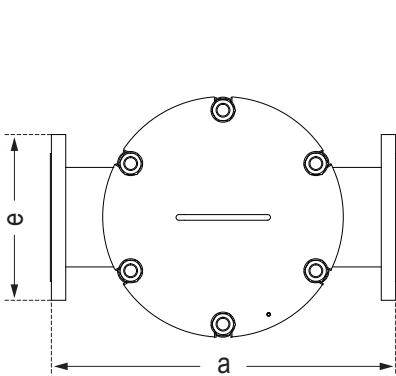
- Magnetic bar elements with 11,000 Gauss (Gs) strength
- Stainless steel construction for Trap housing and magnetic bars
- Sanitary and non-sanitary models
- Available for pipeline sizes ranging from 2 to 12 inches
- Easy cleaning
- Maximum operating temperature: 80°C
- Sealed with a silicone rubber O-ring
- Rated maximum working pressure: 10 bar (clamp type) and 5 bar (flange type)
- No pressure drop in the pipeline
- No consumable parts required.



TPS



Model	Pipeline Size		Nominal Capacity	Overall Dimensions				Magnet Bar		Total Weight Approx.
	Inch	mm		a	b	c	d	Effective length	No.	
			liter/sec	mm	mm	mm	mm	mm	qty	kg
TPS 02	2	50	3	280	168.3	71	180	100	5	13.5
TPS 03	3	80	6	313	219.1	100	235	150	6	17.5
TPS 04	4	100	8	400	219.1	126	285	200	6	22.5



Model	Pipeline size		Nominal Capacity	Overall Dimensions						Magnet Bar		Total Weight Approx.
	inch	mm		a	b	c	d	e	f	Effective length	No.	
			liter/sec	mm	mm	mm	mm	mm	mm	mm	qty	kg
TPS 06	6	150	35	585	406	273	168	280	460	300	7	105
TPS 08	8	200	65	660	483	324	219.1	343	562	400	9	128
TPS 10	10	250	98	770	597	407	273.1	407	766	600	11	210
TPS 12	12	300	110	870	635	457	323.9	483	770	600	15	240