

Wet Drum Separator DWS

- Higher recovery and efficiency
- Optimal cleaning in finishing treatment
- High iron particles selectivity

Pre-selection notes

Five basic factors influence proper selection of a magnetic separator in terms of drum diameter, magnetic width, and type of wet drum separator for use in a specific application. These are:

- Volume of rinse slurry to be handled.
- Percent of solids in rinse slurry.
- Percent of magnetics in the feed solids of the rinse slurry.
- Required magnetic recovery efficiency.
- Cleanliness required in the magnetic concentrate product.

Model	Drum Diameter	Drum effective Length.	Drive	Weight Approx.	Dimension W
	mm	mm	kw	kg	mm
DWS 90/30	916	300	1.5	1,250	1,385
DWS 90/60		600	2.2	1,530	1,700
DWS 90/90		900	2.2	1,850	2,000
DWS 90/120		1,200	2.2	2,270	2,300
DWS 90/150		1,500	2.2	2,640	2,600
DWS 90/180		1,800	4	2,920	3,050
DWS 90/240		2,400	5.5	3,830	3,750
DWS 90/300		3,000	7.5	4,560	4,450
DWS 120/60	1,200	600	4	2,150	1,810
DWS 120/90		900	4	2,640	2,100
DWS 120/120		1,200	5.5	2,980	2,480
DWS 120/150		1,500	5.5	3,390	2,780
DWS 120/180		1,800	7.5	3,820	3,190
DWS 120/240		2,400	7.5	5,150	3,790
DWS 120/300		3,000	7.5	5,940	4,390



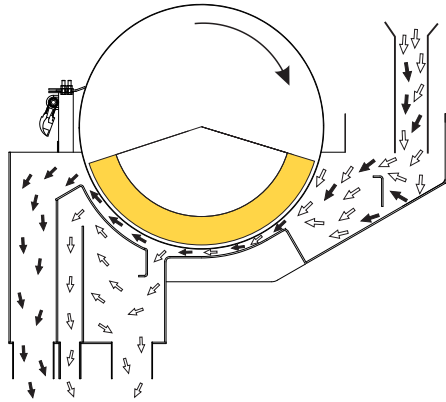
MAGTM

MAG Develop Pty Ltd

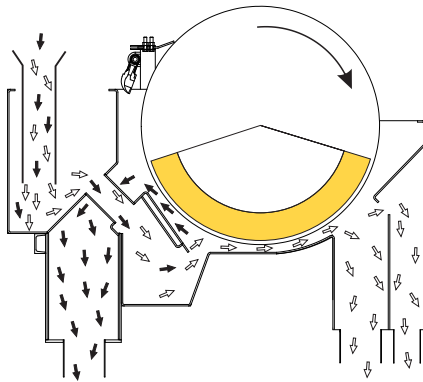
www.mag-magnetics.com

June 2023

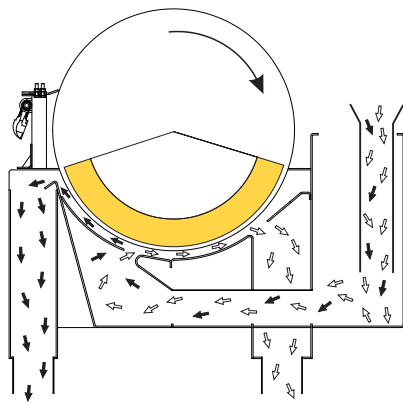
Wet Drum Separator DWS



CC



CR



CTC

CC - Concurrent

The concurrent style of magnetic separator features:
 Feed box in special design for even distribution of the feed slurry.
 Feed entry section to improve on feed pulp distribution thus ensuring full width feed to drum;
 Short pick-up zone, which reduces the risk of coarse material settling on tank bottom. Tank bottom plug to allow coarse material to discharge trouble free;

Suited for processing of coarse ore up to 6 - 8 mm (3 mesh) and, with special arrangement, up to 15 mm. The pulp density recommended for this type of tank is 30 to 50 percent solids by weight.

CR – Counter-rotation

The counter-rotation style of magnetic separator features
 Feed box with feed tubes;
 Feed entry section to improve on feed pulp distribution thus ensuring full width feed to drum;
 Long pick up zone;
 Adjustable (manual) overflow discharge of the effluent for pulp level control allowing surges in feed flow;
 Feed tubes are wear protected on the outside by molded polyurethane and on the inside by polyurethane inserts;

The CR tank is suited for processing medium coarse ore up to 3-8 mm (4 mesh) at medium to high densities (30 to 50% solids).

CTC - Countercurrent

The countercurrent style of magnetic separator features:
 Feed box in special design for even distribution of the feed;
 Feed entry section to improve on feed pulp distribution with full width feed to drum;
 Medium long pick-up zone;
 Full-width effluent overflow weir for pulp level control;

The CTC tank design is suited for processing fine to medium-sized ore up to 0.8 mm (20 mesh). The pulp density range recommended for this type of tank is 25 to 45 percent solids by weight.

Benefits

Excellent separation and recovery of ferromagnetic materials
 Variety of magnet strengths available to suit different applications

Available with counter rotation, counter current and concurrent tank designs to achieve best performance

- Robust design to provide reliable operation
- Tank construction 304 stainless steel
- Vertical and lateral adjustment of drum

MAG[™]

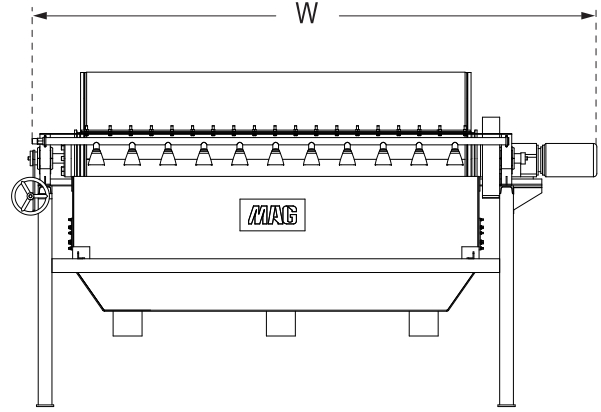
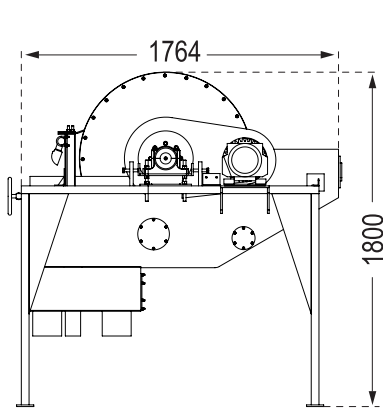
MAG Develop Pty Ltd

www.mag-magnetics.com

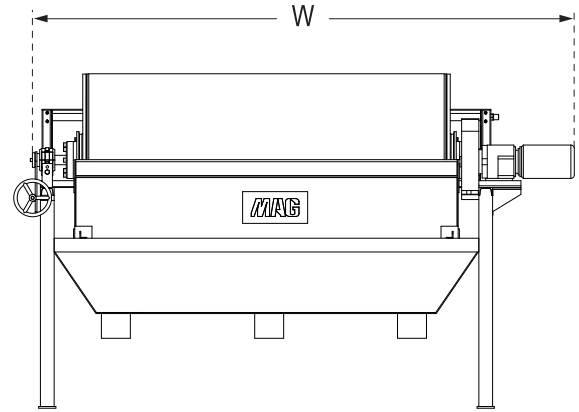
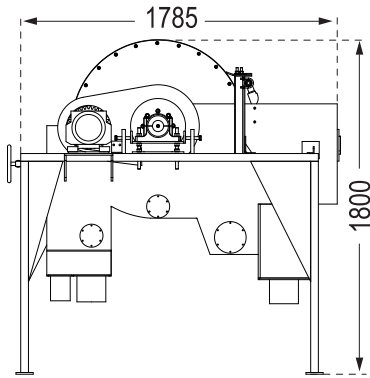
June 2023

DWS

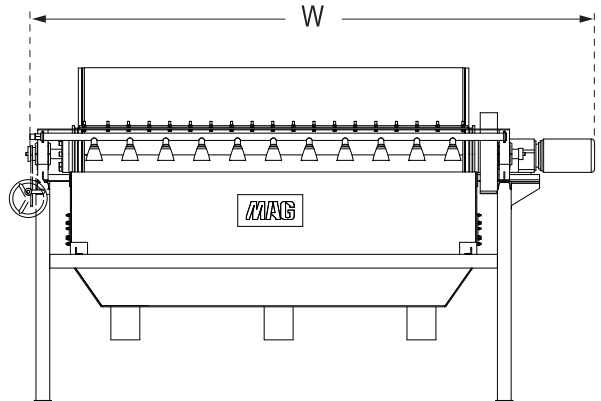
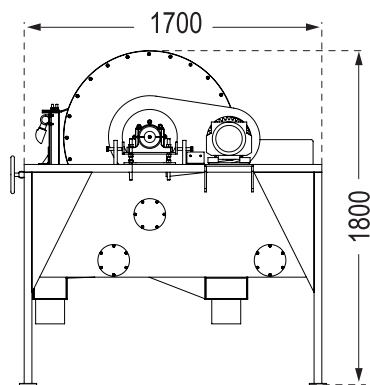
DWS 90 CC



DWS 90 CR

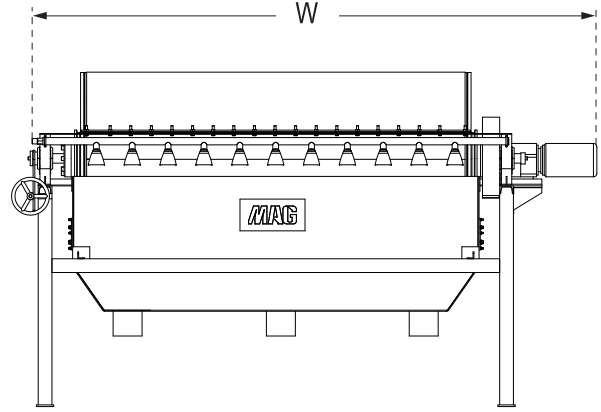
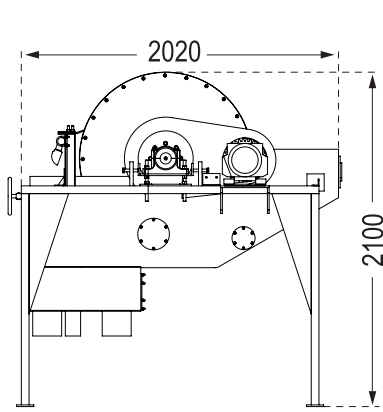


DWS 90 CTC

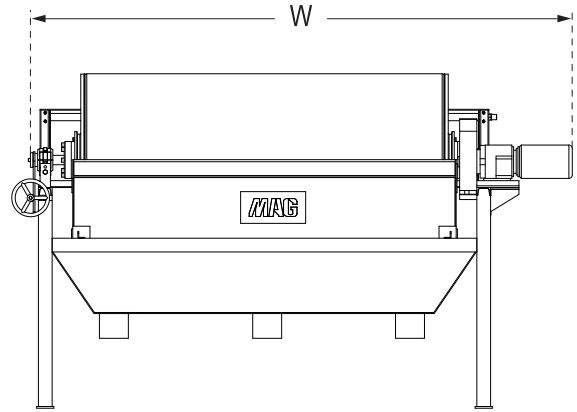
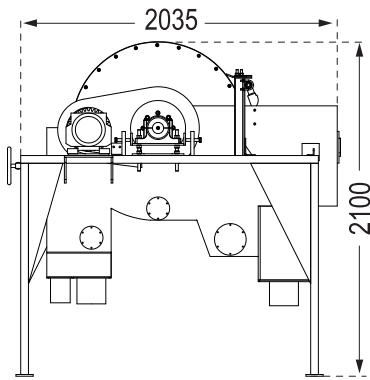


DWS

DWS 120 CC



DWS 120 CR



DWS 120 CTC

