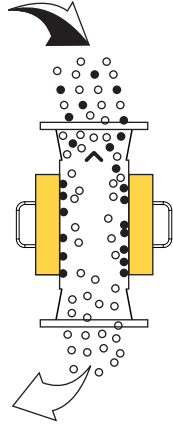
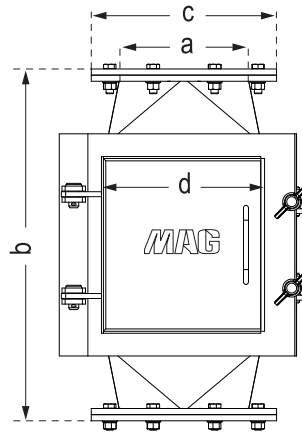
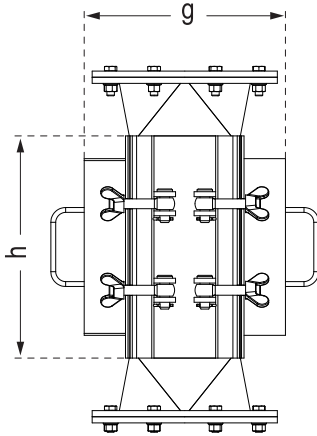


# Deep Reach Separator

# DRS



DRS series Deep Reach Separator consists of two deep filed parallel magnetic plates to remove tramp iron from heavy flows of materials. There is no any limitation on size of material for DRS series and it will be captured tramp iron from fine and even dusty material up to 80mm lump size material. This magnet utilizes effectively for tramp metal removing in Food, Powder, Plastic and Chemical industries due to protect milling, processing and packaging machinery. This device has a housing which magnetic plates installed on the two parallel sides and captured ferrous tramp is held on the magnetic surfaces. Stripper drawer is quickly removed for fast cleaning, in our self cleaning design stripper drawer accompanied with air-actuated drive and housing will be equipped to flap gate to carry out captured items while releasing.



Model	Overall Dimensions						Total Weight Approx. kg
	a	b	c	d	g	h	
DRS 100	100	370	200	165	160	232	31
DRS 150	150	500	250	265	180	262	48
DRS 200	200	640	300	264	420	430	168
DRS 250	250	710	350	369	420	430	230
DRS 300	300	710	400	519	420	430	330



MAG Develop Pty Ltd

[www.mag-magnetics.com](http://www.mag-magnetics.com)

June 2023