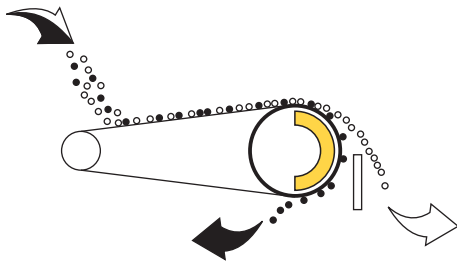


Belt Drum Separator BDS



separation efficiency include Drum Speed, Splitter location, Magnet type and Pole configuration.

Significant selected specification

The capacity and performance of the BDS is dependant upon material factors such as mineralogical composition, particle size distribution, moisture content, degree of liberation, magnetic properties of ore, and ratio of magnetics to non-magnetics.

BDS series Belt Drum Magnets utilize to concentration of coarse Ferromagnetic particles up to 150 mm size in order to get the primary concentration mass and remove the large impure stones, and it could be extremely utilize as the first stage of Iron Ore concentration. The main components of Belt Drum magnets include Drum Magnet, Rubber belt, Pulley, Motor Drive, Idle drums, Frame and power transmission unit along with adjustable splitter.

Belt Drum Separators consist of 180 degree magnetic arc inside of the stainless steel shell which has been inhabited by aluminum alloy caps.

The Drum shell and caps rotate with specific rate round the fixed magnet arc. While the Belt Drum magnet is charged by feeding material, the non-magnetic contaminations will be throw in natural trajectory in front of the magnet, whereas the Iron Ore is absorbed to the Magnet and carry to the last point of magnetic arc and discharge behind of the Belt Drum splitter.

Belt Dum Magnets can be produced in two types by Ceramic Magnet (LIMS) and Neodymium Magnet (MIMS) which has definitely created variant magnetic force accompanied by difference amplitude and gradient. Significant factors on



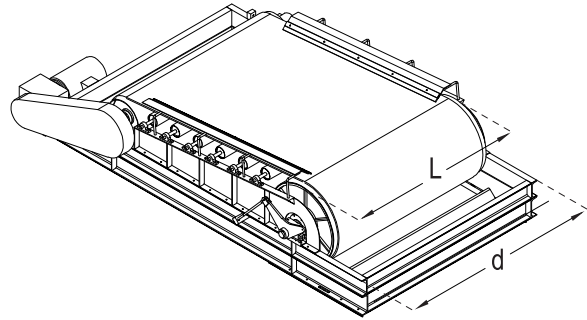
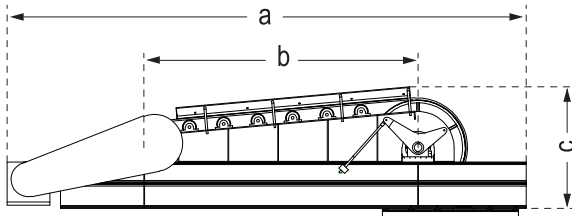
MAGTM

MAG Develop Pty Ltd

www.mag-magnetics.com

June 2023

BDS



Model	Drum Dia.	Drum Length L	Belt Speed	Motor	Weight	Dimensions			
						a	b	c	d
						mm			
BDS 60-100	600	1,000	2	5.5	2,550	3,360	1,500	900	1,450
BDS 60-120		1,200		7.5	2,950				1,650
BDS 60-150		1,500		7.5	3,300				1,950
BDS 90-100	900	1,000	2	11	3,650	4,785	2,500	1,050	1,450
BDS 90-120		1,200		15	4,550				1,650
BDS 90-150		1,500		18.5	5,350				1,950
BDS 90-200		2,000		18.5	6,400				2,450
BDS 120-120	1,200	1,200	2	18.5	6,750	6,430	3,500	1,200	1,650
BDS 120-150		1,500		22	7,600				1,950
BDS 120-200		2,000		22	8,950				2,450

